

# SMALL PARTS KIT INSTRUCTIONS

## THANK YOU FOR PURCHASING ISSI SMALL PARTS KIT!

At iSSi™, we know the best way to improve a bike is to make it truly your own. That's why we fashion equipment to personalize the connection between you and your bike. iSSi: it's your bike; make it yours.

**⚠ WARNING: CYCLING CAN BE DANGEROUS. BICYCLE PRODUCTS SHOULD BE INSTALLED AND SERVICED BY A PROFESSIONAL MECHANIC. NEVER MODIFY YOUR BICYCLE OR ACCESSORIES. READ AND FOLLOW ALL PRODUCT INSTRUCTIONS AND WARNINGS INCLUDING INFORMATION ON THE MANUFACTURER'S WEBSITE. INSPECT YOUR BICYCLE BEFORE EVERY RIDE. ALWAYS WEAR A HELMET.**

**⚠ WARNING:** A loose, cracked, worn out, or crashed pedal can come off of your bicycle crank leading to a loss of control that could cause serious injury. Pedals that are damaged or worn out should not be used. Remove immediately and inspect for damage. If you are unsure if your pedal is safe to ride, consult your local bicycle dealer.

**⚠ WARNING:** Never ride in open-toed or open-heeled shoes as they don't fully support and secure your foot. Doing so could lead to a loss of control and serious injury and/or death.

For additional product and safety information go to: [www.rideissi.com/safety](http://www.rideissi.com/safety).

## COMPATIBILITY AND INTENDED USE

iSSi cleats and pedal parts are only designed as replacement parts for iSSi pedals. iSSi cleats are compatible with all standard 2-bolt SPD shoe drillings. The parts kits and cleats are NOT INTENDED for anything other than direct replacement of parts.

**⚠ WARNING:** Do not attempt to modify or alter your iSSi pedals or cleats.

## TOOLS AND SUPPLIES

2.5, 3mm Allen wrenches

#10 Torx wrench

Red Loctite

Grease

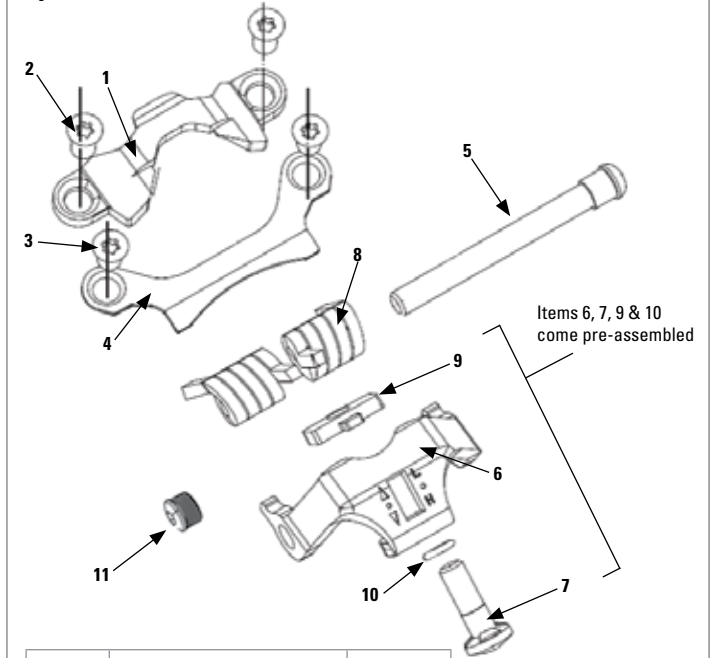
**NOTE:** Never use a cone wrench to remove or install a pedal.

**NOTE:** Pedal threads are different from left side and right side. The right-side pedal has a right-hand thread (removes counterclockwise, installs clockwise). The left-side pedal has a left-hand thread (removes clockwise, installs counterclockwise). Additionally, the thread will appear to slope up toward its tightening direction. Left-hand threads slope up to the left, while right-hand threads slope up to the right.

## TO REPLACE THE PEDAL RETENTION CLIPS AND STRIKE PLATES

1. Loosen the 3mm clip tension bolts (item #7) fully. THEY DO NOT COME COMPLETELY OUT OF THE RETENTION CLIP.
2. Use a T10m Torx to loosen the Torx screws and remove the front retention clips (item #1) on both sides of the pedal and the strike plates (item #4).
3. Apply a small amount of red Loctite to the threads of the T10 Torx screws (items #2 and #3) and reinstall the new retention clips (item #1) and strike plates (item #4) to the pedal, tightening the screws to 3Nm.
4. TURNING CLOCKWISE, loosen the 2.5mm spring retention bolts (item #5) from the inside of the pedal body. Remove the old springs and retention adjustment clip.
5. Place a new spring retention bolt (item #5) through the bolt hole on the side of the pedal just enough for the bolt to come through.
6. Place the new retention adjustment clip (item #6) inside the pedal body and slide the spring retention bolt through the retention adjustment clip just enough to go through the hole.

Figure 1



ITEM #	DESCRIPTION	QUANTITY
1	Retention Clips	4
2, 3	T10 Torx Screws	16
4	iSSi Branded Strike Plates	4
5	Spring Retention Bolts	4
6	Retention Adjustment Clips	4
7	Clip Tension Bolts	4
8	Springs	8
9	Adjustment Screw Plates	4
10	Screw Seal	4
11	iSSi Branded End Caps	2

7. Slide the spring retention bolt through the springs (item #8).

**NOTE:** The springs have a LONG EAR and SHORT EAR. The LONG EAR should be pointed down and against the spindle body, and against the adjustment screw plate (item #9). The SHORT EAR should be pointed up and away from the spindle body, and against the adjustment screw plate.

8. Finish threading in the spring retention bolts (item #5) and tighten to 4Nm.
9. Adjust the 3mm tension bolt (item #7) to the desired resistance.
10. Reinstall the iSSi-branded end caps and tighten to 3Nm.

## ONGOING MAINTENANCE

To function properly, pedals and cleats must be kept clean. Occasional lubrication of cleat bolts will help prevent rust and seizure. Pedals should be serviced if: rotating pedal emits noise, rotation by hand feels rough, and/or there is play in the bearings.

# SMALL PARTS KIT INSTRUCTIONS

## LIMITED WARRANTY

This iSSi product is warranted against defects in materials and workmanship for three (3) years from the date of retail purchase of the product, subject to the limitations detailed below. Save your dated receipt for proof of purchase.

This warranty does NOT cover the following:

- Damage due to improper assembly or follow-up maintenance or lack of skill, competence or experience of the user or assembler
- Products that have been modified, neglected, used in competition or for commercial purposes, misused or abused, involved in accidents or anything other than normal use
- Damage or deterioration to the paint, surface finish, aesthetics or appearance of the product
- Normal wear and tear
- Labor required to remove and/or refit and re-adjust the product within the bicycle assembly
- Installation of components, parts, or accessories not originally intended use with or compatible with iSSi products

This limited warranty is expressly limited to the repair or replacement of a defective product, at the option of iSSi, and is the sole remedy of the warranty. This limited warranty applies only to the original purchaser of the iSSi product and is not transferable. This warranty applies only to products purchased through an authorized dealer or distributor. In no event shall iSSi be liable for any loss, inconvenience or damage, whether direct, incidental, consequential, or otherwise resulting from breach of any express or implied warranty or condition, of merchantability, fitness for a particular purpose, or otherwise with respect to our products except as set forth herein. This limited warranty gives the consumer specific legal rights, and those rights and other rights may vary from place to place. This limited warranty does not affect your statutory rights.

TO THE EXTENT NOT PROHIBITED BY LAW, THESE WARRANTIES ARE EXCLUSIVE AND THERE ARE NO OTHER EXPRESS OR IMPLIED WARRANTIES OR CONDITIONS INCLUDING WARRANTIES OR CONDITIONS OF MERCHANTABILITY AND FITNESS FOR A PARTICULAR PURPOSE.

## WARRANTY PROCESS

We will happily back up our products if there is a problem that is our fault. If you and your shop think your iSSi product is worthy of a warranty inspection, please return the product to the original place of purchase, accompanied by a sales receipt.