

iSSi STOMP INSTRUCTIONS

THANK YOU FOR PURCHASING ISSI STOMP PEDALS!

At iSSi™, we know the best way to improve a bike is to make it truly your own. That's why we design performance pedals that personalize your most important connections to your bicycle.

⚠ WARNING: CYCLING CAN BE DANGEROUS. BICYCLE PRODUCTS SHOULD BE INSTALLED AND SERVICED BY A PROFESSIONAL MECHANIC. NEVER MODIFY YOUR BICYCLE OR ACCESSORIES. READ AND FOLLOW ALL PRODUCT INSTRUCTIONS AND WARNINGS INCLUDING INFORMATION ON THE MANUFACTURER'S WEBSITE. INSPECT YOUR BICYCLE BEFORE EVERY RIDE. ALWAYS WEAR A HELMET.

⚠ WARNING: A loose, cracked, worn out, or crashed pedal can come off of your bicycle crank leading to a loss of control that could cause serious injury. Pedals that are damaged or worn out should not be used. Remove immediately and inspect for damage. If you are unsure if your pedal is safe to ride, consult your local bicycle dealer.

⚠ WARNING: Never ride in open-toed or open-heeled shoes as they don't fully support and secure your foot. Doing so could lead to a loss of control and serious injury.

For additional product and safety information go to: www.rideissi.com/safety

COMPATIBILITY

iSSi Stomp pedals are for cranksets with 9/16" pedal threads. iSSi Stomp Spindles can only be replaced with iSSi Stomp Replacement Spindle Kits—no other iSSi spindles are compatible.

⚠ WARNING: Use only with cranksets designed for off-road, mountain, downhill, enduro or similar riding. Not intended for use with road or track cranksets.

⚠ WARNING: Do not use with spindle extenders or spindle spacers.

INTENDED USE

iSSi pedals are intended for ASTM use condition 4. This is a set of conditions for operation of a bicycle that includes paved surfaces, gravel roads, groomed to rough trails, small obstacles, or downhill grades on rough trails at speeds less than 40 km/h (25 mph), or both. Jumps are intended to be less than 122 cm (48").



TOOLS AND SUPPLIES

6 mm hex wrench
Torque wrench that measures in Nm
Grease
2 mm hex wrench (included) or 5 mm socket/combo wrench (not included)
Medium strength thread locking compound (pins only)

ASSEMBLING TRACTION PINS

Each pedal includes and will accommodate 22 traction pins. Pins can be inserted from the top or bottom for a longer or shorter traction stud depending on rider preference and to further customize the pedal feel. For the most traction, it is recommended that each pedal use all 22 pins.

The four pin locations closest to the spindle will require inserting the pin from the top side, as there is no tool access to allow for installation from the back side. If pins are used in this location, they will always rely on the concave tooled portion for traction.

The remaining seven pins (three heel, four toe) can be inserted from the top or bottom.

1. To optimize the concave portion, insert the remaining seven pins from the bottom exposing the threaded portion of the pin as traction features (Fig. 1).

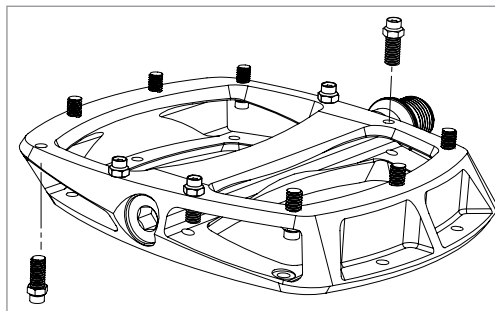


Figure 1

2. To minimize the effect of the concave profile, insert all pins from the top to expose the tooled hex surface for traction.

INSTALLING TRACTION PINS

NOTE: Medium strength (blue) thread locking compound can be applied to the pin threads and is recommended for pin retention.

1. Using either the included 2 mm hex or a 5 mm socket/combo wrench, thread the pedal pins into the pedal body at desired location.
2. Tighten each pin to 1.5 Nm.

INSTALLING PEDALS

1. Begin by identifying the right and left pedals. Look for "L" and "R" marking on the pedal body. It is only stamped on one side of the pedal.

⚠ CAUTION: Do not attempt to install a right-side pedal into the left-side crank or vice versa. Doing so could permanently damage your crank AND pedal. Left-threaded pedals (threads sloping upward to the left) go to left crank. Right-threaded pedals (threads sloping upward to the right) go to right crank.

2. Heavily grease threads of both pedals.
3. Thread the right-side pedal into right crank by hand, CLOCKWISE.
4. To tighten fully, use the 6 mm hex wrench, and torque to 35 to 55 Nm.
5. Repeat these steps for the left-side pedal, making sure to tighten by turning COUNTER-CLOCKWISE.

NOTE: Periodically check both pedals for tightness and retighten according to these instructions if necessary.

⚠ WARNING: Immediately discontinue using the pedals if excessive play develops, the pedal body or spindle shows signs of cracking, or the pedal body seems too tight or too loose on the spindle. Take your bicycle or pedals to a professional bicycle mechanic for evaluation, service, or replacement. (See Ongoing Maintenance.)

ONGOING MAINTENANCE

To function properly, pedals must be kept clean. Pedals should be serviced if: rotating pedal emits noise, rotation by hand feels rough, and/or there is play in the bearings.

When traction pins become worn or damaged, replace them with new pins.

WARRANTY PROCESS

In the event of an iSSi product malfunction, please return the product and the sales receipt to the original place of purchase for a warranty inspection.

For complete warranty information, visit rideissi.com/safety